

CSI

CROSSCUT SOLUTIONS, INC

**THE INDUSTRY'S MOST DURABLE
AND SMOOTHEST OPERATING CUT-OFF SAW**



Left Hand Saw



Right Hand Saw

Mechanical and Pneumatic Cut-Off Saw Features

- *Maintenance friendly, easy access for maintenance personnel*
- *Accurate and quality cut*
- *2" x 8", 2" x 12" and optional 4" x 8" cutting capacities available*
- *Extremely fast cycle speeds*



E5763 COUNTY RD. B
MANAWA, WI 54949
PHONE (920) 596-2330
FAX (920) 596-2324
E-mail: crosscut@wolfnet.net
www.crosscutsolutionsinc.com



MADE IN THE USA

CS14M & CS18M MECHANICAL CUT-OFF SAW FEATURES

- **Extremely fast- Standard speeds of approximately 133 cycles/minute with speeds available up to 211 cycles/minute**
- **Mechanical crankshaft design delivers a smooth cycle operation**
- **No expensive compressed air required**

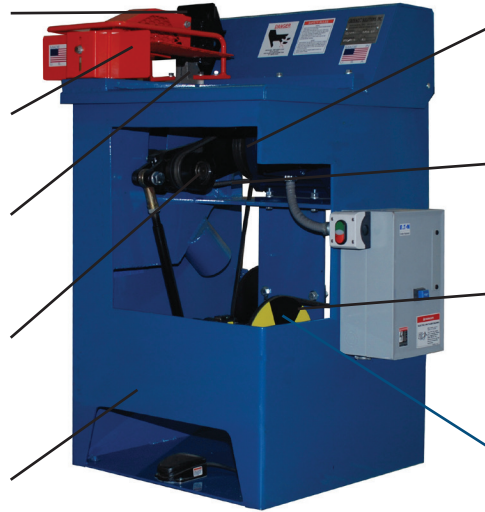
Heavy duty hold down adjustment

Heavy duty aluminum saw guard

Aluminum horizontal and backside Chipbreaker

Heavy duty arbor weldment will stabilize the saw to produce a smooth and accurate cut.

Heavy duty frame 1/4" thick steel



7.5 H.P TEFC Motor is standard 230/460 /3 phase /60 cycle

Arbor belts can be changed easily and quickly without disturbing the arbor and it's bearings.

Mechanical clutch offers a smooth cutting action.

Cycle speeds available to meet the application. Standard speed of 133 cycles/min. Other speeds available are 66, 94, 149 and 211 cycles/min. The slower the speed, the finer and smoother the cut.

Machine corner cut out for picture only.

Maintenance has easy access to the machine by either opening the top or removing the machine's rear panel.



110 volt control voltage

Primary and secondary fusing for the transformer

Terminal strip in the electrical enclosure to make it easier for maintenance to make connections and trouble shoot

Starter sized to be used with either 230 or 460 volt. A simple heater and wire connection change needed for voltage modification.

Machine's rear panel removed for picture only.

Ask our customers what they think:

"We have been running Crosscut Solutions cut off saws in our flooring mill operation for four years. The quality, speed and accuracy of cut are second to none. Crosscut Solutions stocks a complete line of parts and it means a lot that Steve is always available for any service help we may need."

Marty at Henry County Hardwoods, Paris, TN

Hi,

"I'm Johnnie Thomas with Oakcrest Lumber Co. in Buena Vista, GA. I'm the purchasing agent for my company and we are really satisfied with our Crosscut saws. When we started our flooring plant, we used another name brand pop-up saw. And I'm here to tell you, it was a nightmare from day one. A year or so later, we purchased Crosscut saws and we are still pleased with the performance, service and the helpful, friendly people that we deal with at Crosscut Solutions."

*Johnnie Thomas, Purchasing Agent
Oakcrest Lumber and Flooring Company*

CS14M & 18M CUT-OFF SAW SPECIFICATIONS

	CS14M	CS18M
Blade Requirements	14" Dia., 1" bore	18" Dia., 1" bore
Max cutting capacity	2" x 8"	2" x 12" 4" x 8" optional
Motor	7 1/2 H.P., TEFC, 230V/460V/3/60	7 1/2 H.P., TEFC, 230V/460V/3/60
Amp Requirements	20/10 Amps	20/10 Amps
Dust collection req.	4" Dia., 480 CFM @5,500 fpm	4" Dia., 480 CFM @5,500 fpm
Saw Depth X Dimension	24"	27 1/2"
Shipping Dim.	40" x 30" x 54 1/2"	40" x 30" x 54 1/2"
Shipping Weight	750#	780#

CS14P & CS18P PNEUMATIC CUT-OFF SAW FEATURES

- **Quality pneumatic cylinder**– top and bottom pneumatic cylinder cushions for a smooth operation plus a large rod diameter for years of dependable service
- **Easily adjustable cycle speeds**– speeds up to 90 strokes per minute
- **Electrical foot switch, solenoid valve and reed switches replace air components**– to increase reliability while decreasing air consumption and maintenance costs

Heavy duty hold down adjustment

Heavy duty aluminum saw guard

Aluminum horizontal and backside Chipbreaker

Heavy duty arbor weldment will stabilize the saw to produce a smooth and accurate cut.

Starter sized to be used with either 230 or 460 volt. A simple heater and wire connection change needed for voltage modification.



7.5 H.P TEFC Motor is standard 230/460 /3 phase /60 cycle.

Arbor belts can be changed easily and quickly without disturbing the arbor and it's bearings.

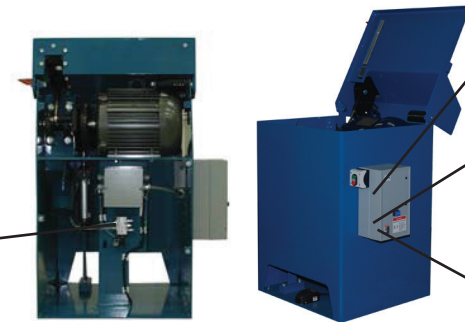
Heavy Duty Pneumatic Cylinder with top and bottom pneumatic cushions. Reed switches used to confirm piston location.

Heavy duty frame 1/4" thick steel

Machine corner cut out for picture only.

Maintenance has easy access to the machine by either opening the top or removing the machine's rear panel.

Cycle speeds available to meet the application. Standard speed of up to 90 cycles per minute. Adjustments made on the pneumatic solenoid valve.



110 volt control voltage

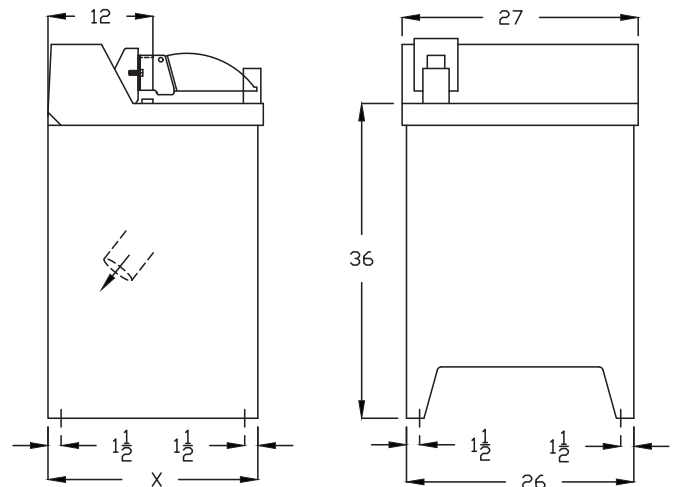
Primary and secondary fusing for the transformer.

Terminal strip in the electrical enclosure to make it easier for maintenance to make connections and trouble shoot.

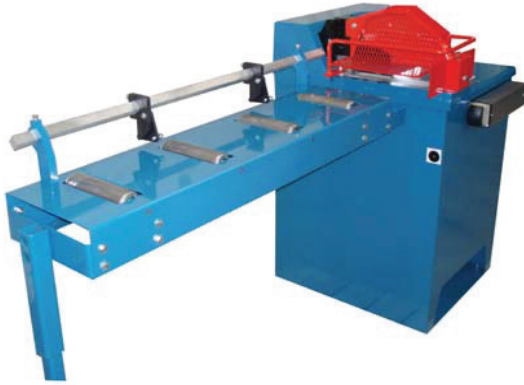
Machine's rear panel removed for picture only.

CS14P & CS18P CUT-OFF SAW SPECIFICATIONS

	CS14P	CS18P
Blade Requirements	14" Dia., 1" bore	18" Dia., 1" bore
Max cutting capacity	2" x 8"	2" x 12" 4" x 8" optional
Motor	7 1/2 H.P., TEFC, 230V/460V/3/60	7 1/2 H.P., TEFC 230V/460V/3/60
Amp Requirements	20/10 Amps	20/10 Amps
Dust collection req.	4" Dia., 480 CFM @5,500 fpm	4" Dia., 480CFM @ 5,500 fpm
Air Cylinder spec.	2" x 6" w/ 1" dia. rod	2" x 8" w/ 1" dia. rod
Saw Depth X Dimension	24"	27 1/2"
Shipping Dim.	40" x 30" x 54 1/2"	40" x 30" x 54 1/2"
Shipping Weight	750#	780#

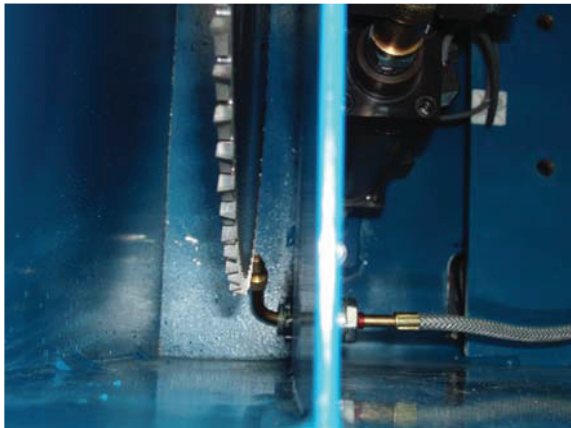


A FEW OF THE OPTIONS AVAILABLE



Roller Infeed and Outfeed Tables
with a Gauge Bar and Stops

Optional Double Palm Switch System, Quick
Adjustable Clamp and Expanded Steel Hand
Guard

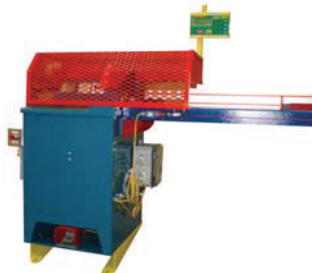


Kool Mist Lube System for Non-Ferrous Cutting

Tiger Stop mounted on a Crosscut
Solutions Cut-Off Saw



Optional Guard for the
Tiger Stop AIK System



For more information contact:



Manufacturer :
*E5763 COUNTY RD. B
MANAWA, WI 54949
PHONE (920) 596-2330
FAX (920) 596-2324
E-mail: crosscut@wolfnet.net
www.crosscutsolutionsinc.com*



Local Distributor: